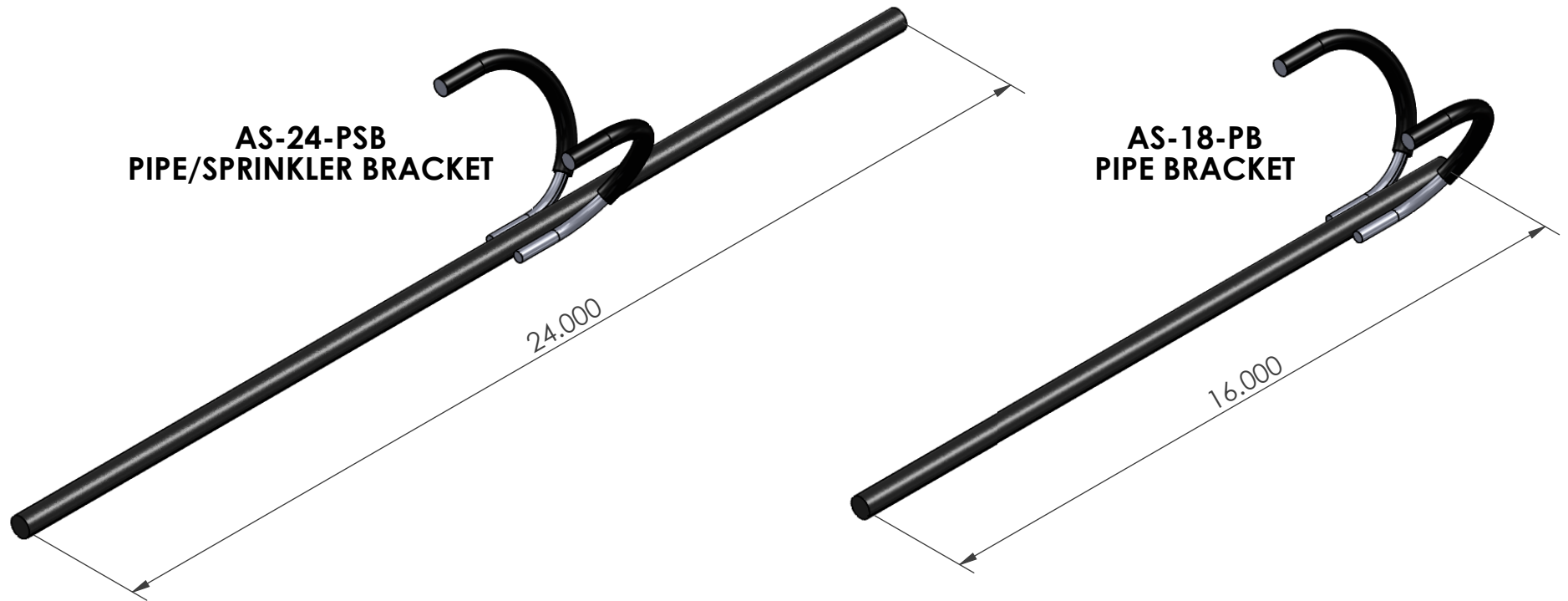


Pipe/Sprinkler brackets are made from #4 rebar, with 5/16" diameter hooks. Pipe brackets are used between sprinkler heads to maintain pipe position while Pipe/Sprinkler brackets are use to support both the pipe and sprinkler head.

**AS-24-PSB
PIPE/SPRINKLER BRACKET**

**AS-18-PB
PIPE BRACKET**



UNLESS OTHERWISE SPECIFIED:

ALL DIMENSIONS OUTSIDE
DIMENSIONS ARE IN INCHES
TOLERANCES:
FRACTIONAL ± .060
ANGULAR: BEND ± 1/2 DEGREE
TWO PLACE DECIMAL ± .030
THREE PLACE DECIMAL ± .010
INSIDE RADII: .031
MAX BURR: .010

PROPRIETARY AND CONFIDENTIAL

THE INFORMATION CONTAINED IN THIS DRAWING IS THE SOLE PROPERTY OF **ALL-SPEC ENCLOSURES, INC.** ANY REPRODUCTION IN PART OR AS A WHOLE WITHOUT THE WRITTEN PERMISSION OF **ALL-SPEC ENCLOSURES, INC.** IS PROHIBITED.

MATERIAL

FINISH

DO NOT SCALE DRAWING

	NAME	DATE
DRAWN	J.KILGORE	08/11/10
CHECKED		
ENG APPR.		
MFG APPR.		
Q.A.		

COMMENTS:

INSIDE RADIUS : N/A
BEND DEDUCTION : N/A



ALLSPEC ENCLOSURES, INC.

582 South Grand Avenue
San Jacinto, Ca. 92582
Ph: 951-654-5500
Fx: 951-654-5150

TITLE:

PIPE/SPRINKLER BRACKETS

DWG. NO.

PIPE/SPRINKLER BRACKETS-0000

REV

SHEET 1 OF 1