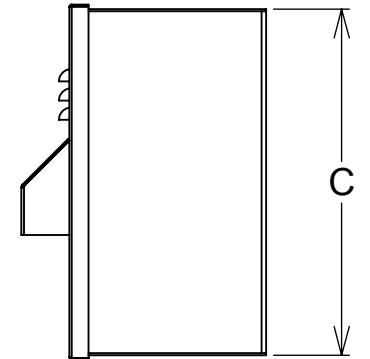
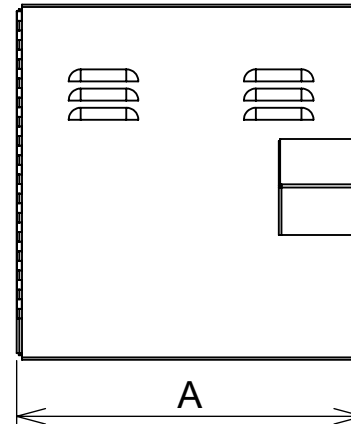
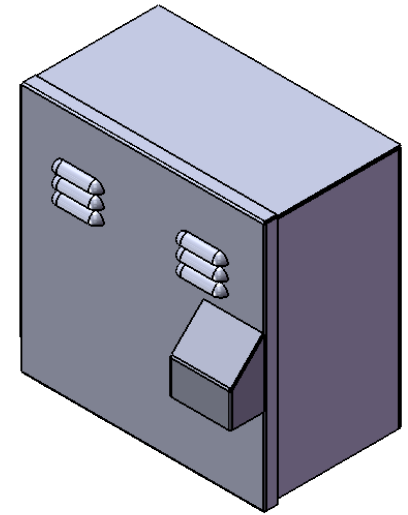
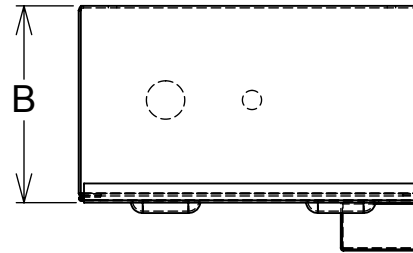


# AS-WM SPEC SHEET

- 3/16" Mild Steel
- Stainless steel hinge with staked pin
- Vandal & weather resistant enclosure NEMA 3R rainproof enclosure as listed by Underwriters Laboratories, Inc.
- Pry resistant 1" flanged doors
- Front door louvers (Note: AS-WM-8 and AS-WM-12 do not have louvers)
- Neoprene weather striping (full door)
- 3/4" plywood backboard (standard) mounted with 4 bolts/wingnuts
- Limited warranty (5 years)
- Powder Coat (1 year)



PART #	A	B	C
AS-WM-8	8"	6"	8"
AS-WM-12	12"	8"	12"
AS-WM-18	18"	10"	18"
AS-WM-20	20"	10"	16"
AS-WM-24	24"	10"	24"
AS-WM-26	26"	10"	26"

UNLESS OTHERWISE SPECIFIED:

**ALL DIMENSIONS OUTSIDE**  
 DIMENSIONS ARE IN INCHES  
 TOLERANCES:  
 FRACTIONAL ± .060  
 ANGULAR: BEND ± 1/2 DEGREE  
 TWO PLACE DECIMAL ± .030  
 THREE PLACE DECIMAL ± .010  
 INSIDE RADII: .031  
 MAX BURR: .010

	NAME	DATE
DRAWN	K. MILLER	8/18/2016
CHECKED		
ENG APPR.		
MFG APPR.		
Q.A.		

**ALLSPEC ENCLOSURES, INC.**  
 582 South Grand Avenue  
 San Jacinto, Ca. 92582  
 Ph: 951-654-5500  
 Fx: 951-654-5150

TITLE:  
**ASWM-SPEC SHEET**

DWG. NO. **ASWM-0000** REV

**PROPRIETARY AND CONFIDENTIAL**  
 THE INFORMATION CONTAINED IN THIS DRAWING IS THE SOLE PROPERTY OF ALL-SPEC ENCLOSURES, INC. ANY REPRODUCTION IN PART OR AS A WHOLE WITHOUT THE WRITTEN PERMISSION OF ALL-SPEC ENCLOSURES, INC. IS PROHIBITED.

MATERIAL	
FINISH	
COMMENTS:	

DO NOT SCALE DRAWING