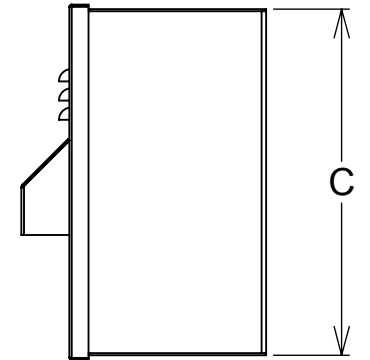
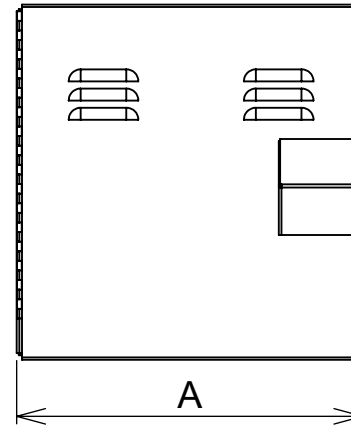
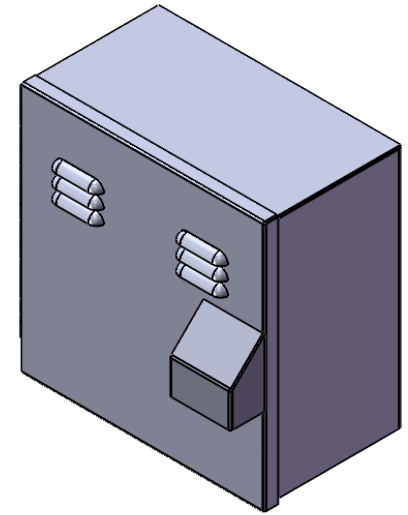
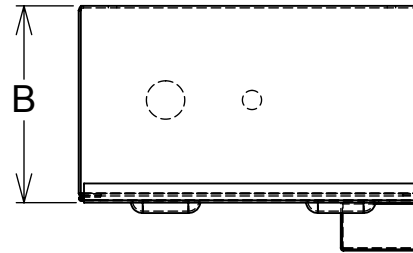


AS-WM-SS SPEC SHEET

- 12 GA Stainless Steel type 304 non magnetic with #4 finish
- Stainless steel hinge with staked pin
- Vandal & weather resistant enclosure NEMA 3R rainproof enclosure as listed by Underwriters Laboratories, Inc.
- Pry resistant 1" flanged doors
- Front door louvers (Note: AS-WM-8 and AS-WM-12 do not have louvers)
- Neoprene weather striping (full door)
- 3/4" plywood backboard (standard) mounted with 4 Stainless Steel bolts/wingnuts
- Limited warranty (15 years)



PART #	A	B	C
AS-WM-8SS	8"	6"	8"
AS-WM-12SS	12"	8"	12"
AS-WM-18SS	18"	10"	18"
AS-WM-20SS	20"	10"	16"
AS-WM-24SS	24"	10"	24"
AS-WM-26SS	26"	10"	26"

UNLESS OTHERWISE SPECIFIED:

ALL DIMENSIONS OUTSIDE
 DIMENSIONS ARE IN INCHES
 TOLERANCES:
 FRACTIONAL ± .060
 ANGULAR: BEND ± 1/2 DEGREE
 TWO PLACE DECIMAL ± .030
 THREE PLACE DECIMAL ± .010
 INSIDE RADII: .031
 MAX BURR: .010

	NAME	DATE
DRAWN	K. MILLER	8/18/2016
CHECKED		
ENG APPR.		
MFG APPR.		
Q.A.		

ALLSPEC ENCLOSURES, INC.
 582 South Grand Avenue
 San Jacinto, Ca. 92582
 Ph: 951-654-5500
 Fx: 951-654-5150



TITLE:
ASWM-SS-SPEC SHEET

DWG. NO. **ASWM-SS-0000** REV

PROPRIETARY AND CONFIDENTIAL
 THE INFORMATION CONTAINED IN THIS DRAWING IS THE SOLE PROPERTY OF ALL-SPEC ENCLOSURES, INC. ANY REPRODUCTION IN PART OR AS A WHOLE WITHOUT THE WRITTEN PERMISSION OF ALL-SPEC ENCLOSURES, INC. IS PROHIBITED.

MATERIAL	
FINISH	
DO NOT SCALE DRAWING	

SHEET 1 OF 1