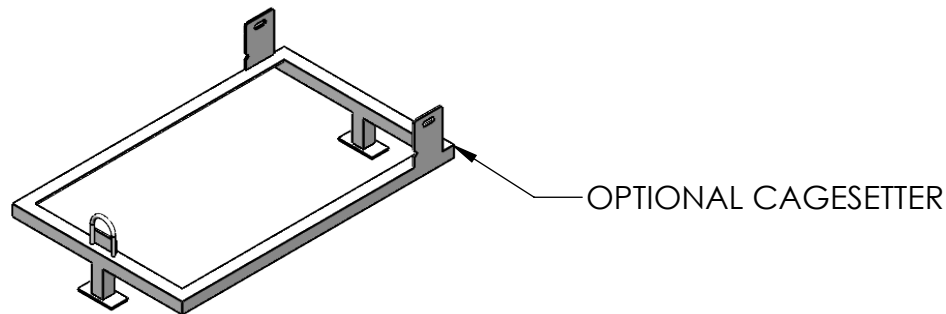
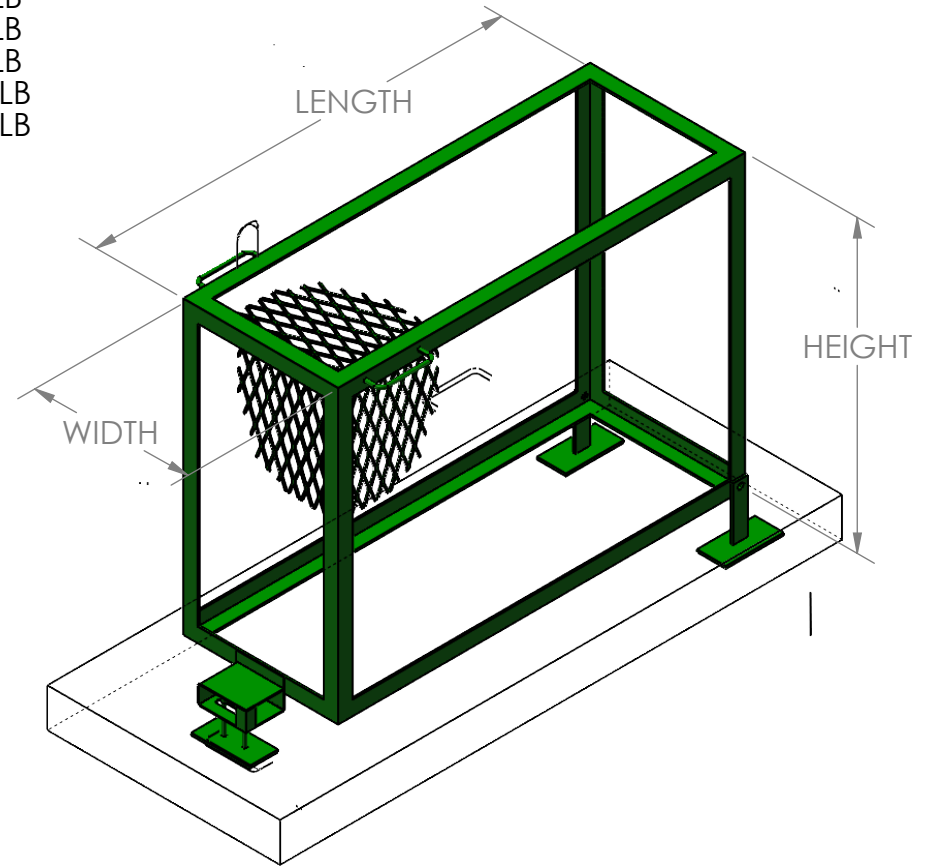


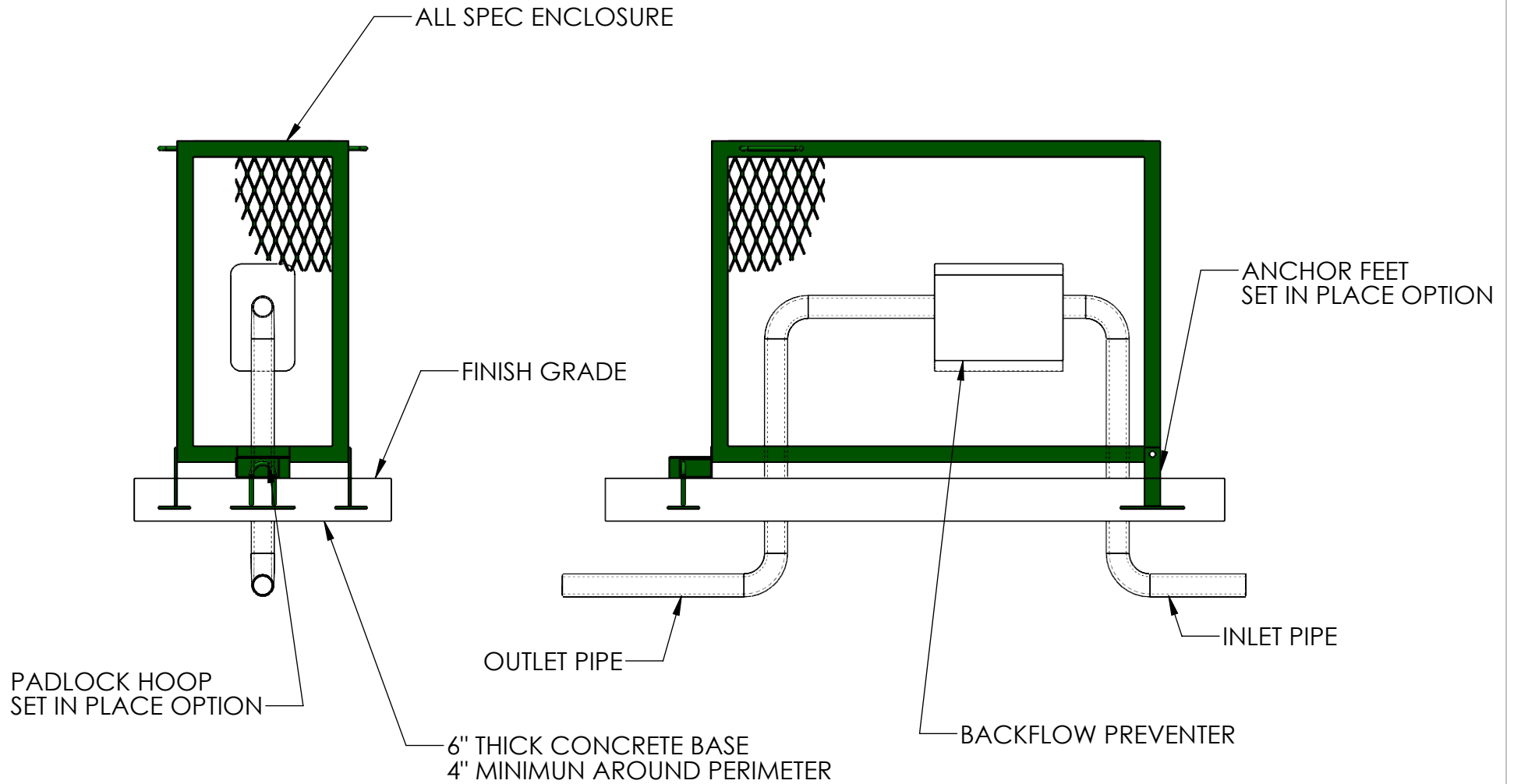
PART #	OD(WxLxH)	ID(WxLxH)	*SIZE	WT.
BFE-2418	16"x27"x18"	13"x24"x18"	3/4"	52LB
BFE-2424	16"x27"x24"	13"x24"x24"	3/4"	59LB
BFE-3024	18"x33"x24"	15"x30"x24"	1"-1 1/4"	66LB
BFE-3030	18"x33"x30"	15"x30"x30"	1"-1 1/4"	81LB
BFE-3630	18"x39"x30"	15"x36"x30"	1 1/4"-2"	88LB
BFE-4230	18"x45"x30"	15"x42"x30"	1 1/2"-2"	96LB
BFE-4830	18"x51"x30"	15"x48"x30"	1 1/2"-2"	103LB
BFE-5430	18"x57"x30"	15"x54"x30"	1 1/2"-2"	110LB

* SIZE BACKFLOW THAT WILL FIT ENCLOSURE

SPECS

- 1-1/2" X 1-1/2" X 3/16" MILD STEEL ANGLE
- 1-1/2" #9 FLATTENED EXPANDED METAL
- STEEL PADLOCK LOCK-COVER WELDED TO ENCLOSURE
- (1 EA) 3/8" STEEL PADLOCK U-BOLT WELDED ONTO A 1/4" PLATE READY FOR A (POUR-IN-PLACE) INSTALLATION OR SUBSTITUTE SURFACE MOUNT HARDWARE AT NO CHARGE
- CAGESETTERS AVAILABLE
- (2 EA) 1/4" STEEL HINGE PLATES-READY FOR A (POUR-IN-PLACE) INSTALLATION
- (2 EA) STEEL NUTS, BOLTS, & WASHERS
- (2 EA) 3/8" DIAMETER MILD STEEL LIFT HANDLES WELDED TO ENCLOSURE
- POWDER COATED
- HOT DIP GALVANIZE OPTIONAL
- LIMITED WARRANTY (5 YEARS), POWDER COAT - 1 YEAR
- CUSTOMIZE ANY ENCLOSURE ~ CALL FACTORY FOR PRICE AND LEAD TIMES





PART #	OD(WxLxH)	ID(WxLxH)	*SIZE	WT.
BFE-SS-2418	16"x27"x18"	13"x24"x18"	3/4"	53LB
BFE-SS-2424	16"x27"x24"	13"x24"x24"	3/4"	61LB
BFE-SS-3024	18"x33"x24"	15"x30"x24"	1"-1 1/4"	68LB
BFE-SS-3030	18"x33"x30"	15"x30"x30"	1"-1 1/4"	84LB
BFE-SS-3630	18"x39"x30"	15"x36"x30"	1 1/4"-2"	92LB
BFE-SS-4230	18"x45"x30"	15"x42"x30"	1 1/2"-2"	100LB
BFE-SS-4830	18"x51"x30"	15"x48"x30"	1 1/2"-2"	108LB
BFE-SS-5430	18"x57"x30"	15"x54"x30"	1 1/2"-2"	116LB

* SIZE BACKFLOW THAT WILL FIT ENCLOSURE

SPECS

- 1-1/2" X 1-1/2" X 3/16" STAINLESS STEEL ANGLE
- 1-1/2" #9 FLATTENED EXPANDED METAL
- SS PADLOCK LOCK-COVER WELDED TO ENCLOSURE
- (1 EA) 3/8" SS PADLOCK U-BOLT WELDED ONTO A 1/4" PLATE READY FOR A (POUR-IN-PLACE) INSTALLATION OR SUBSTITUTE SURFACE MOUNT HARDWARE AT NO CHARGE
- CAGESETTERS AVAILABLE
- (2 EA) 1/4" SS HINGE PLATES-READY FOR A (POUR-IN-PLACE) INSTALLATION
- (2 EA) STAINLESS NUTS, BOLTS, & WASHERS
- (2 EA) 3/8" DIAMETER STAINLESS STEEL LIFT HANDLES WELDED TO ENCLOSURE
- LIMITED WARRANTY (15 YEARS)
- CUSTOMIZE ANY ENCLOSURE ~ CALL FACTORY FOR PRICE AND LEAD TIMES
- OPTIONAL POWDER COAT, "CALTRANS TAN" COLOR AVAILABLE

