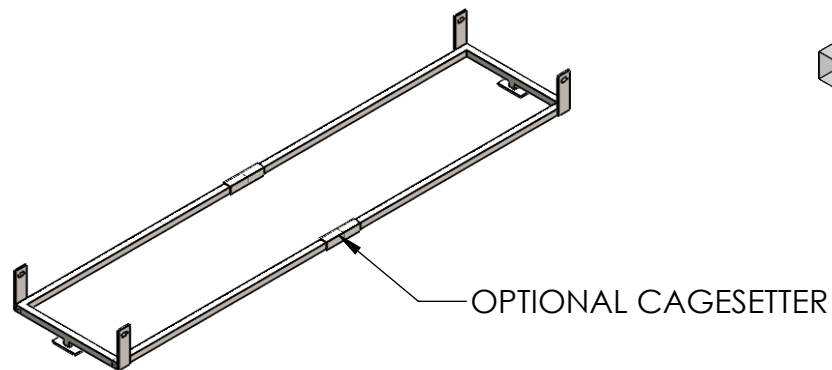
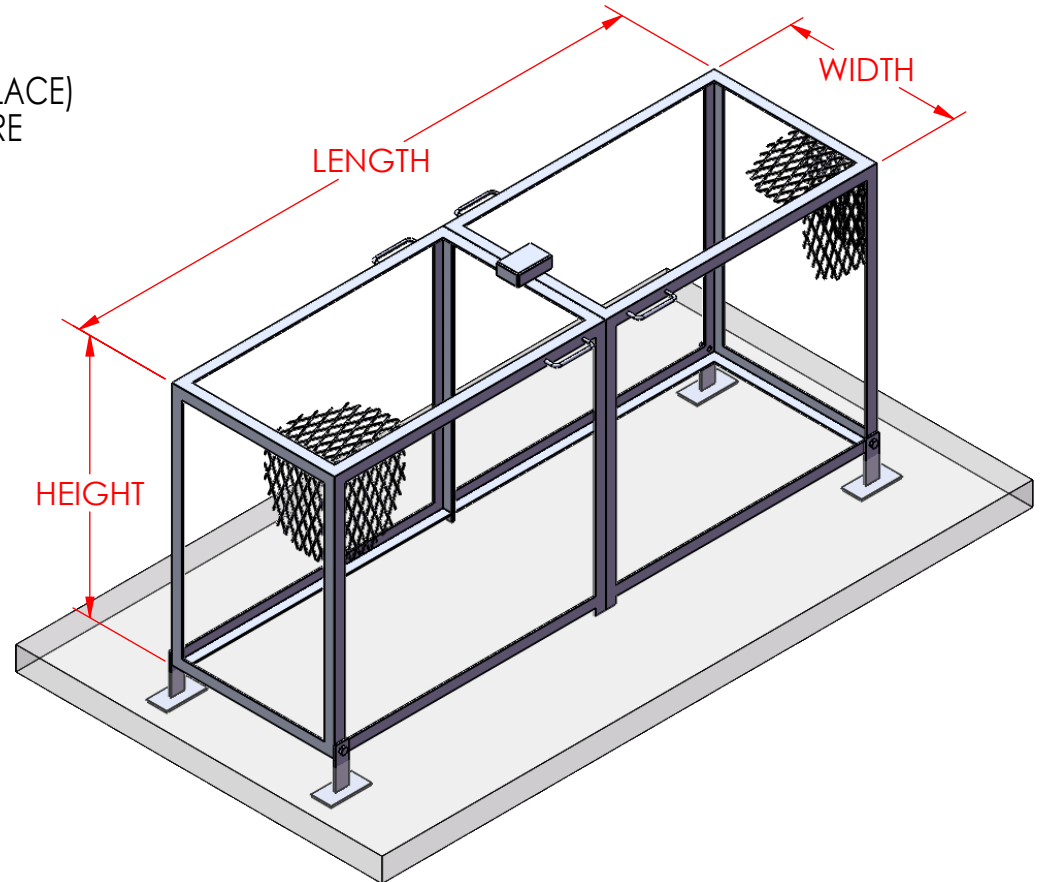


PART #	OD(WxLxH)	ID(WxLxH)	*SIZE	WT.
BFED-6036	24"x63"x36"	21"x60"x36"	2 1/2"	160LB
BFED-7242	30"x75"x42"	27"x72"x42"	3"-4"	205LB
BFED-8442	30"x87"x42"	27"x84"x42"	4"-6"	222LB

\* SIZE BACKFLOW THAT WILL FIT ENCLOSURE

## SPECS

- 1-1/2" X 1-1/2" X 3/16" STEEL ANGLE
- 1-1/2" #9 FLATTENED EXPANDED METAL
- STEEL PADLOCK PLATE WELDED TO ENCLOSURE
- (4 EA) 1/4" STEEL HINGE PLATES-READY FOR A (POUR-IN-PLACE) INSTALLATION OR SUBSTITUTE SURFACE MOUNT HARDWARE
- CAGESETTERS AVAILABLE
- (4 EA) NUTS, BOLTS, & WASHERS
- (4 EA) 3/8" DIAMETER STEEL LIFT HANDLES WELDED TO ENCLOSURE
- LIMITED WARRANTY (5 YEARS)
- POWDERCOAT (1 YEAR)
- CUSTOMIZE ANY ENCLOSURE ~ CALL FACTORY FOR PRICE AND LEAD TIMES



PART #	OD(WxLxH)	ID(WxLxH)	*SIZE	WT.	* SIZE BACKFLOW THAT WILL FIT ENCLOSURE
BFED-SS-6036	24"x60"x36"	21"x60"x36"	2 1/2"	168LB	
BFED-SS-7242	30"x72"x42"	27"x72"x42"	3"-4"	216LB	
BFED-SS-8442	30"x84"x42"	27"x84"x42"	4"-6"	235LB	

## SPECS

- GRADE 304 STAINLESS STEEL ENCLOSURE
- 1-1/2" X 1-1/2" X 3/16" SS ANGLE
- 1-1/2" #9 FLATTENED EXPANDED METAL
- SS PADLOCK PLATE WELDED TO ENCLOSURE
- (4 EA) 1/4" SS HINGE PLATES-READY FOR A (POUR-IN-PLACE) INSTALLATION OR SUBSTITUTE SURFACE MOUNT HARDWARE
- CAGESETTERS AVAILABLE
- (4 EA) NUTS, BOLTS, & WASHERS
- (4 EA) 3/8" DIAMETER SS LIFT HANDLES WELDED TO ENCLOSURE
- LIMITED WARRANTY (10 YEARS)
- CUSTOMIZE ANY ENCLOSURE ~ CALL FACTORY FOR PRICE AND LEAD TIMES

