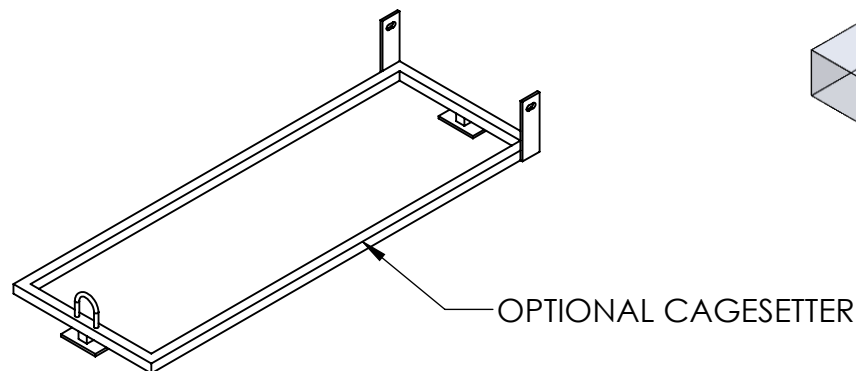
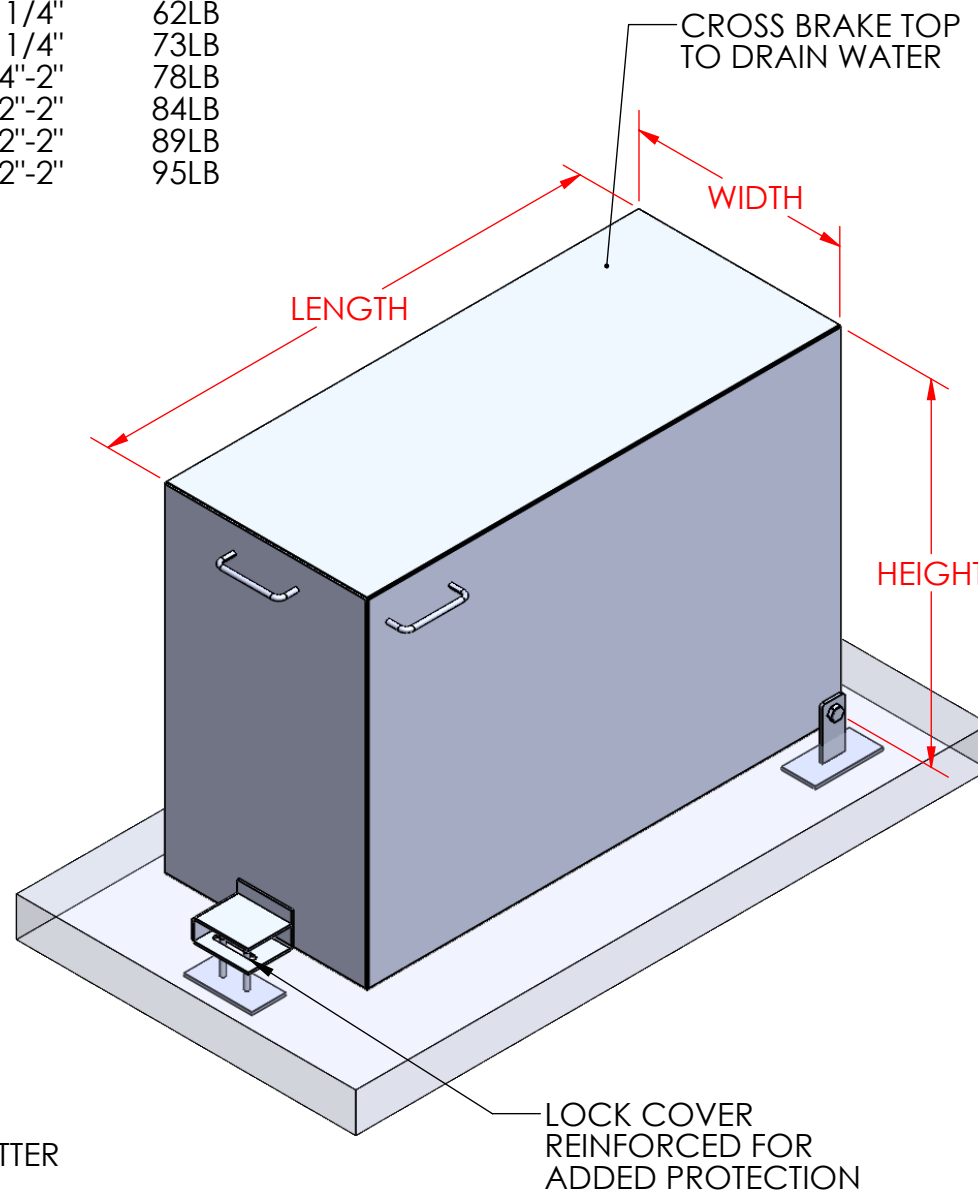


PART #	OD(WxLxH)	ID(WxLxH)	*SIZE	WT.
BFESD-2418	16"x27"x18"	13"x24"x18"	3/4"	50LB
BFESD-2424	16"x27"x24"	13"x24"x24"	3/4"	56LB
BFESD-3024	18"x33"x24"	15"x30"x24"	1"-1 1/4"	62LB
BFESD-3030	18"x33"x30"	15"x30"x30"	1"-1 1/4"	73LB
BFESD-3630	18"x39"x30"	15"x36"x30"	1 1/4"-2"	78LB
BFESD-4230	18"x45"x30"	15"x42"x30"	1 1/2"-2"	84LB
BFESD-4830	18"x51"x30"	15"x48"x30"	1 1/2"-2"	89LB
BFESD-5430	18"x57"x30"	15"x54"x30"	1 1/2"-2"	95LB

* SIZE BACKFLOW THAT WILL FIT ENCLOSURE

SPECS

- 14GA MILD STEEL W/ 1-1/2" FLANGES
- STEEL PADLOCK LOCK-COVER WELDED TO ENCLOSURE
- (1 EA) 3/8" STEEL PADLOCK U-BOLT WELDED ONTO A 1/4" PLATE READY FOR A (POUR-IN-PLACE) INSTALLATION OR SUBSTITUTE SURFACE MOUNT HARDWARE AT NO CHARGE
- CAGESETTERS AVAILABLE
- (2 EA) 1/4" STEEL HINGE PLATES-READY FOR A (POUR-IN-PLACE) INSTALLATION
- (2 EA) STEEL NUTS, BOLTS, & WASHERS
- (2 EA) 3/8" DIAMETER MILD STEEL LIFT HANDLES WELDED TO ENCLOSURE
- 1-1/2" THICK INSULATION OPTIONAL
- LIMITED WARRANTY (5 YEARS), POWDER COAT - 1 YEAR
- CUSTOMIZE ANY ENCLOSURE ~ CALL FACTORY FOR PRICE AND LEAD TIMES



PART #	OD(WxLxH)	ID(WxLxH)	*SIZE	WT.
BFEDSD-SS-2418	16"x27"x18"	13"x24"x18"	3/4"	56LB
BFEDSD-SS-2424	16"x27"x24"	13"x24"x24"	3/4"	62LB
BFEDSD-SS-3024	18"x33"x24"	15"x30"x24"	1"-1 1/4"	68LB
BFEDSD-SS-3030	18"x33"x30"	15"x30"x30"	1"-1 1/4"	80LB
BFEDSD-SS-3630	18"x39"x30"	15"x36"x30"	1 1/4"-2"	86LB
BFEDSD-SS-4230	18"x45"x30"	15"x42"x30"	1 1/2"-2"	92LB
BFEDSD-SS-4830	18"x51"x30"	15"x48"x30"	1 1/2"-2"	98LB
BFEDSD-SS-5430	18"x57"x30"	15"x54"x30"	1 1/2"-2"	105LB

* SIZE BACKFLOW THAT WILL FIT ENCLOSURE

SPECS

- 14GA STAINLESS STEEL W/ 1-1/2" FLANGES
- SS PADLOCK LOCK-COVER WELDED TO ENCLOSURE
- (1 EA) STAINLESS PADLOCKCOVER WELDED TO TOP OF ENCLOSURE
- CAGESETTERS AVAILABLE
- (4 EA) 1/4" STAINLESS HINGE PLATES-READY FOR A (POUR-IN-PLACE) INSTALLATION OR SUBSTITUE SURFACE MOUNT HARDWARE AT NO EXTRA CHARGE
- (4 EA) STAINLESS NUTS, BOLTS, & WASHERS
- (4 EA) 3/8" DIAMETER STAINLESS STEEL LIFT HANDLES WELDED TO ENCLOSURE
- 1-1/2" THICK INSULATION OPTIONAL
- LIMITED WARRANTY (10 YEARS)
- CUSTOMIZE ANY ENCLOSURE ~ CALL FACTORY FOR PRICE AND LEAD TIMES

