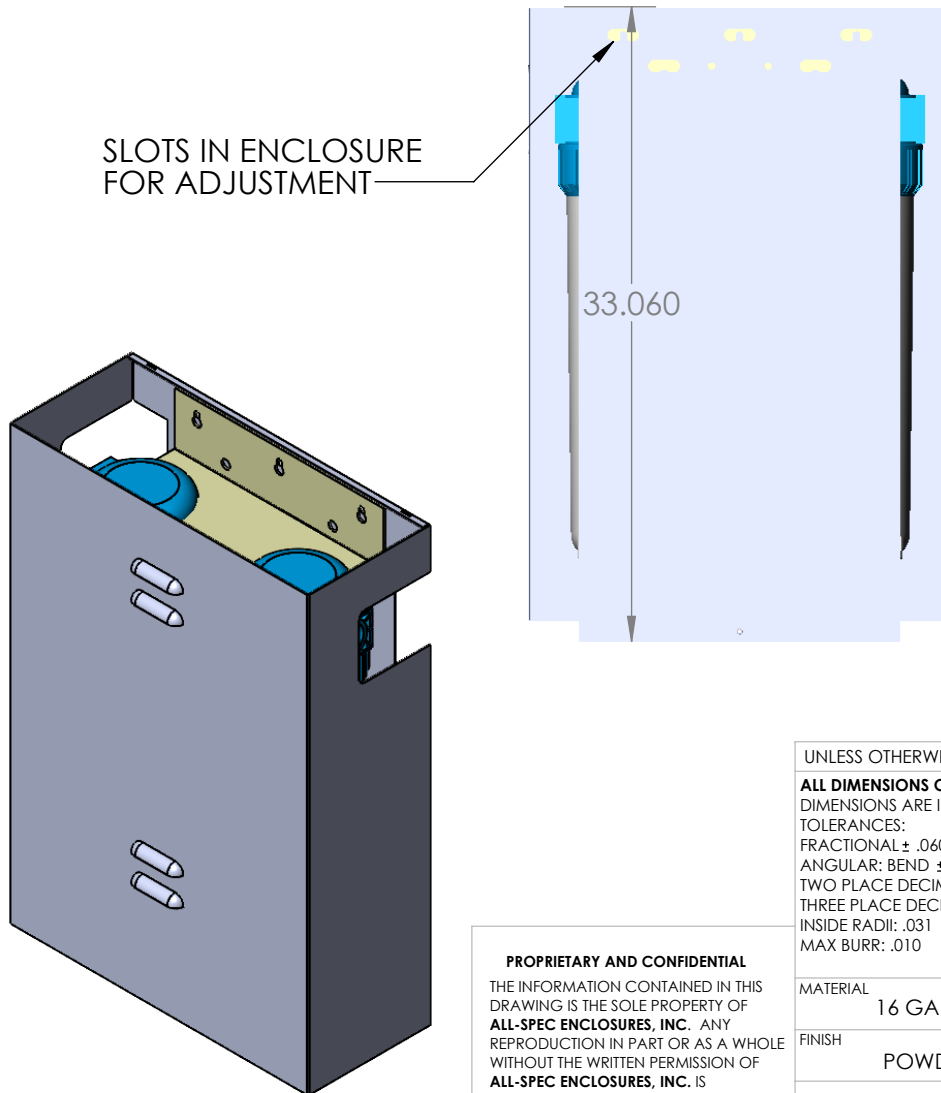


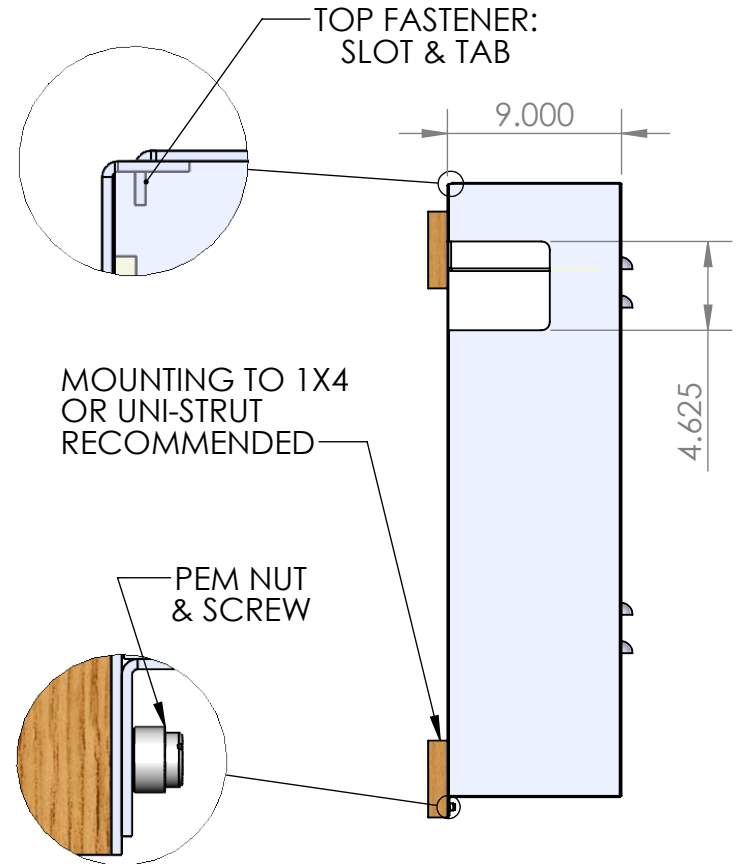
- 16 GA MILD STEEL
- POWDER COAT OFF-WHITE (RAL 9001)
- ACCOMODATES WHOLE HOUSE OR MANOR SYSTEMS WITH USE OF WASHERS
- RECOMMEND MOUNTING TO 1X4 AS SHOWN OR UNI-STRUT TO KEEP OFF WALL

REV A - 8/2/22 - ADDED EXTRA MOUNTING HOLES TO FIT MULTIPLE BRACKETS, AND MADE COVER 3" TALLER TO FIT



SLOTS IN ENCLOSURE FOR ADJUSTMENT

33.060



TOP FASTENER: SLOT & TAB

9.000

MOUNTING TO 1X4 OR UNI-STRUT RECOMMENDED

4.625

PEM NUT & SCREW

UNLESS OTHERWISE SPECIFIED:

ALL DIMENSIONS OUTSIDE
 DIMENSIONS ARE IN INCHES
 TOLERANCES:
 FRACTIONAL ± .060
 ANGULAR: BEND ± 1/2 DEGREE
 TWO PLACE DECIMAL ± .030
 THREE PLACE DECIMAL ± .010
 INSIDE RADII: .031
 MAX BURR: .010

PROPRIETARY AND CONFIDENTIAL

THE INFORMATION CONTAINED IN THIS DRAWING IS THE SOLE PROPERTY OF **ALL-SPEC ENCLOSURES, INC.** ANY REPRODUCTION IN PART OR AS A WHOLE WITHOUT THE WRITTEN PERMISSION OF **ALL-SPEC ENCLOSURES, INC.** IS PROHIBITED.

MATERIAL	16 GA (.063) CRS
FINISH	POWDER COAT
DO NOT SCALE DRAWING	

	NAME	DATE
DRAWN	K. MALTES	9/12/2017
CHECKED		
ENG APPR.		
MFG APPR.		
Q.A.		
COMMENTS:		
INSIDE RADIUS :	N/A	
BEND DEDUCTION :	N/A	

 ALLSPEC ENCLOSURES, INC. 582 South Grand Avenue San Jacinto, Ca. 92582 Ph: 951-654-5500 Fx: 951-654-5150		REV
TITLE: NUVO H2O DUAL FILTER ENCLOSURE		
DWG. NO. NUVO H2O DUAL-0000		
		SHEET 1 OF 5