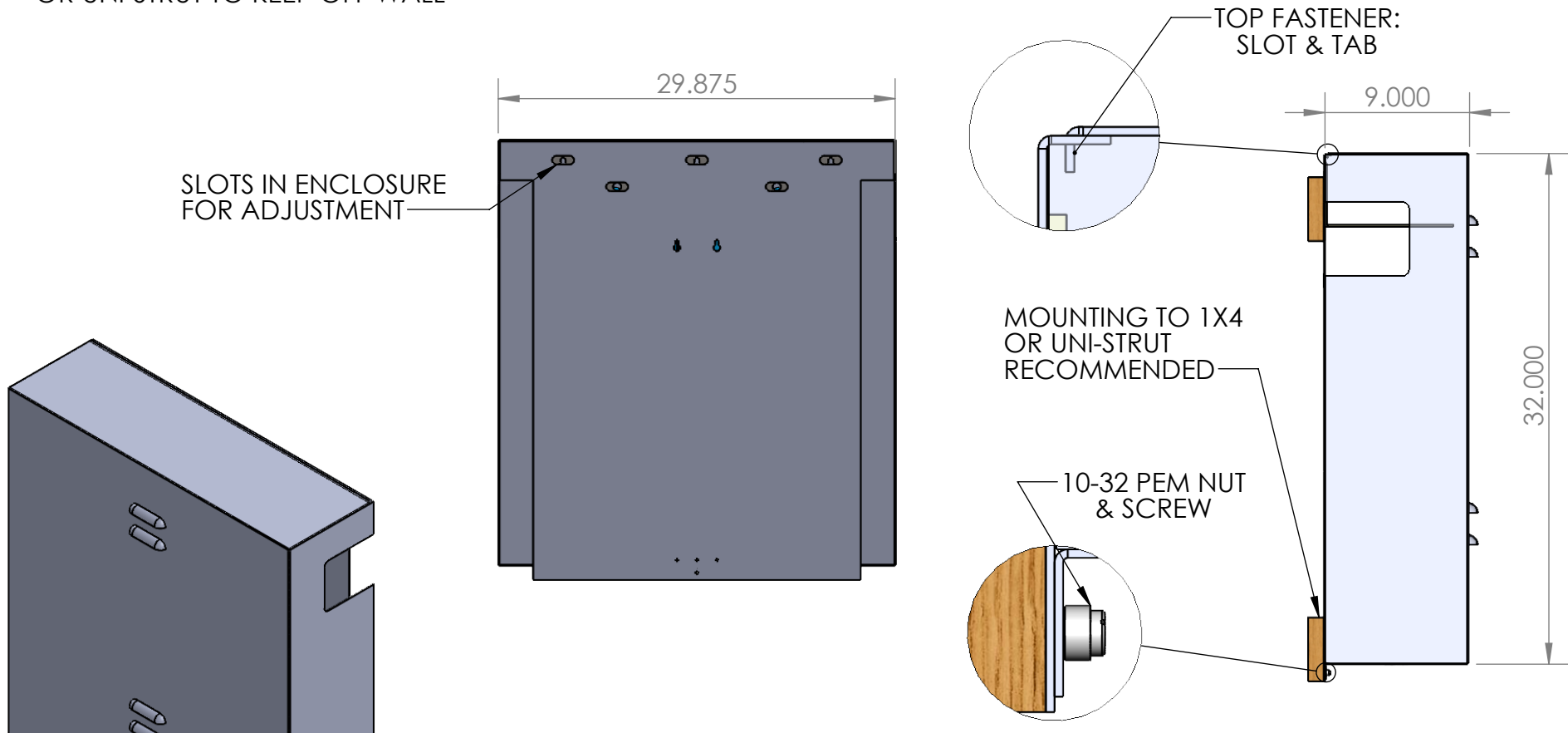


- 16 GA MILD STEEL
- POWDER COAT OFF-WHITE (RAL 9001)
- ACCOMODATES WHOLE HOUSE OR MANOR SYSTEMS WITH USE OF WASHERS
- RECOMMEND MOUNTING TO 1X4 AS SHOWN OR UNI-STRUT TO KEEP OFF WALL



PROPRIETARY AND CONFIDENTIAL
 THE INFORMATION CONTAINED IN THIS DRAWING IS THE SOLE PROPERTY OF ALL-SPEC ENCLOSURES, INC. ANY REPRODUCTION IN PART OR AS A WHOLE WITHOUT THE WRITTEN PERMISSION OF ALL-SPEC ENCLOSURES, INC. IS PROHIBITED.

UNLESS OTHERWISE SPECIFIED:	
ALL DIMENSIONS OUTSIDE	
DIMENSIONS ARE IN INCHES	
TOLERANCES:	
FRACTIONAL ± .060	
ANGULAR: BEND ± 1/2 DEGREE	
TWO PLACE DECIMAL ± .030	
THREE PLACE DECIMAL ± .010	
INSIDE RADII: .031	
MAX BURR: .010	
MATERIAL	16 GA (.063) CRS
FINISH	POWDER COAT
DO NOT SCALE DRAWING	

NAME	K. MALTES	DATE	4/4/2023
DRAWN			
CHECKED			
ENG APPR.			
MFG APPR.			
Q.A.			
COMMENTS:			
INSIDE RADIUS :	N/A		
BEND DEDUCTION :	N/A		

		ALLSPEC ENCLOSURES, INC. 582 South Grand Avenue San Jacinto, Ca. 92582 Ph: 951-654-5500 Fx: 951-654-5150	
TITLE: NUVO H2O TRIPLE ENCLOSURE			
DWG. NO. NUVO H2O TRIPLE-0000		REV	
			SHEET 1 OF 5