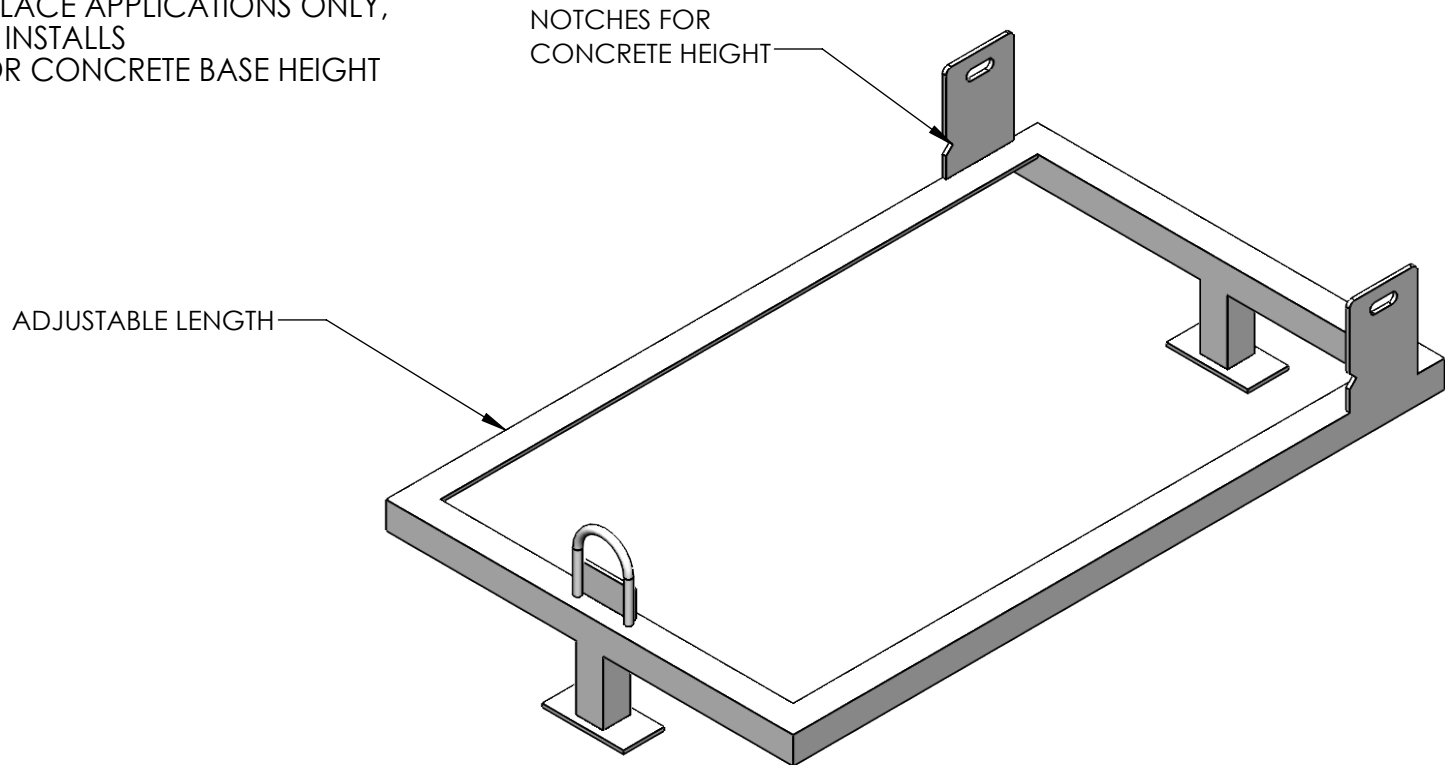


<b>PART #</b>	<b>FITS ENCLOSURE</b>	<b>*SIZE</b>
CS-24	BFE-24XX	3/4"
UCSBFE-3054	BFE-30XX TO BFE-54XX	1" - 2"

**SPECS**

- 1" x 1" x .125" STEEL ANGLE
- 1" X 1" STEEL SQ TUBING
- ADJUSTS TO DIFFERENT LENGTHS AS NEEDED
- MADE FOR POUR IN PLACE APPLICATIONS ONLY, DESIGNED TO SIMPLY INSTALLS
- MARKS ON FRAME FOR CONCRETE BASE HEIGHT
- POWDER COATED



<b>PART #</b>	<b>FITS ENCLOSURE</b>	<b>*SIZE</b>
CS-SS-24	BFE-SS-24XX	3/4"
UCSBFE-SS-3054	BFE-SS-30XX TO BFE-54XX	1" - 2"

**SPECS**

- 1" x 1" x .125" STAINLESS STEEL ANGLE
- 1" X 1" STAINLESS STEEL SQ TUBING
- ADJUSTS TO DIFFERENT LENGTHS AS NEEDED
- MADE FOR POUR IN PLACE APPLICATIONS ONLY, DESIGNED TO SIMPLY INSTALLS
- MARKS ON FRAME FOR CONCRETE BASE HEIGHT
- POWDER COATED

