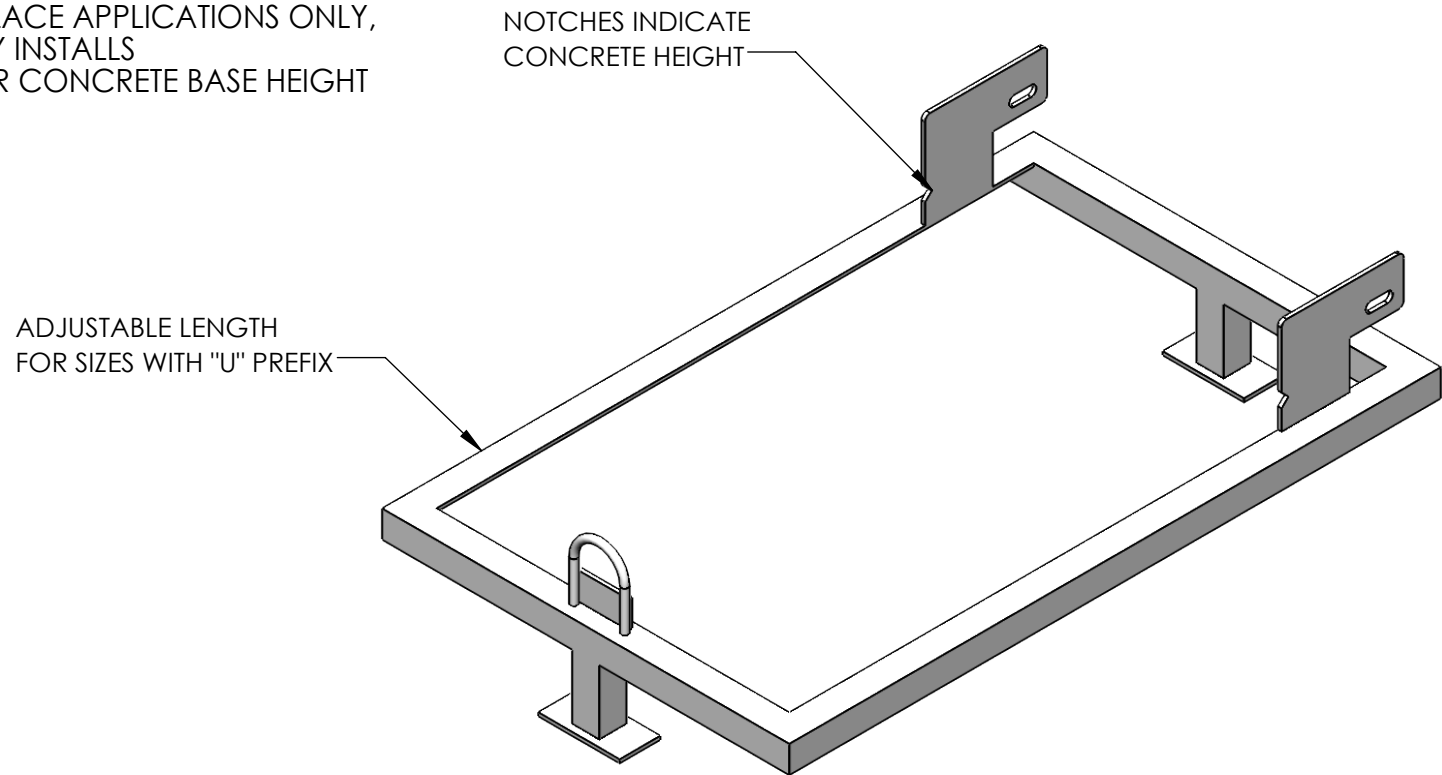


<b>PART #</b>	<b>FITS ENCLOSURE</b>	<b>*SIZE</b>
UCSVB-2442	VB-24XX TO VB-42XX	3/4" - 2"
CSVB-48	VB-48XX	2"
CSVB-54	VB-54XX	2"
CSVB-66	VB-66XX	2"

**SPECS**

- 1" x 1" x .125" STEEL ANGLE
- 1" X 1" STEEL SQ TUBING
- "U" PREFIX INDICATES LENGTH IS ADJUSTABLE AS NEEDED
- MADE FOR POUR IN PLACE APPLICATIONS ONLY, DESIGNED TO SIMPLIFY INSTALLS
- MARKS ON FRAME FOR CONCRETE BASE HEIGHT
- POWDER COATED



<b>PART #</b>	<b>FITS ENCLOSURE</b>	<b>*SIZE</b>
UCSVB-SS-2442	VB-SS-24XX TO VB-SS-42XX	3/4" - 2"
CSVV-SS-48	VB-SS-48XX	2"
CSVV-SS-54	VB-SS-54XX	2"
CSVV-SS-66	VB-SS-S66XX	2"

**SPECS**

- 1" x 1" x .125" STAINLESS STEEL ANGLE
- 1" X 1" STAINLESS STEEL SQ TUBING
- "U" PREFIX INDICATES LENGTH IS ADJUSTABLE AS NEEDED
- MADE FOR POUR IN PLACE APPLICATIONS ONLY, DESIGNED TO SIMPLIFY INSTALLS
- MARKS ON FRAME FOR CONCRETE BASE HEIGHT

