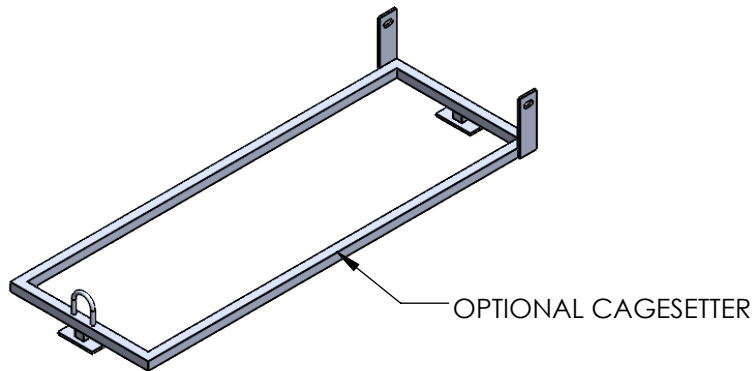
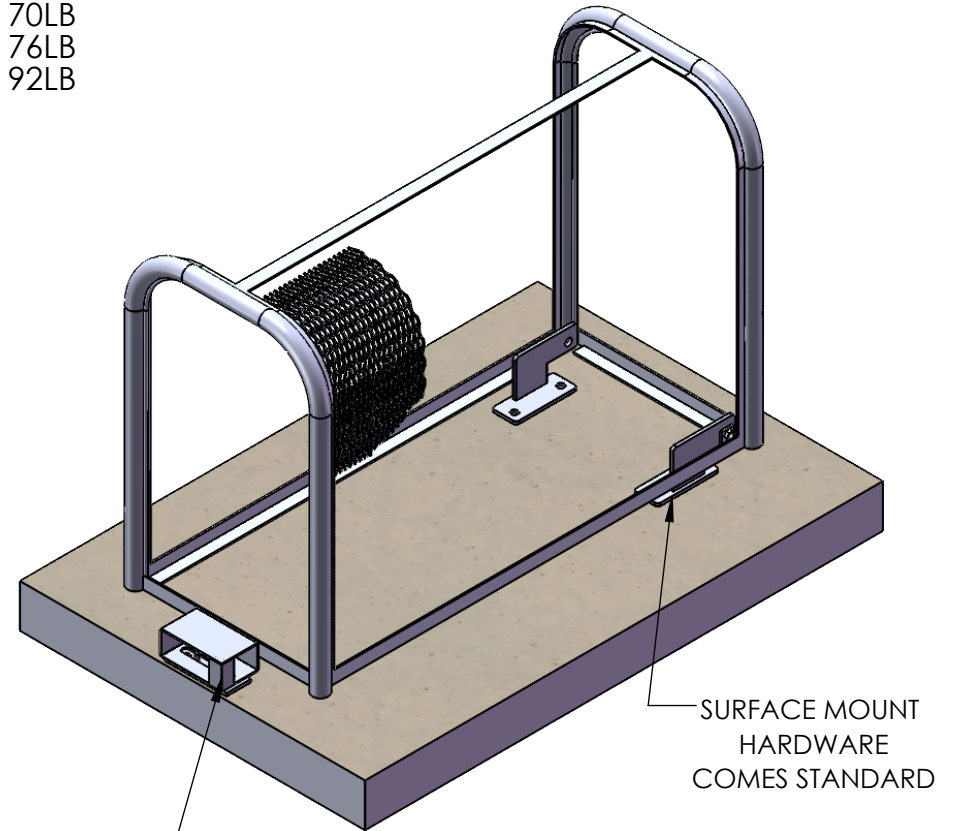


<b>PART #</b>	<b>OD(WxLxH)</b>	<b>ID(WxLxH)</b>	<b>*SIZE</b>	<b>WT.</b>
VB-1218	16"x15"x18"	13"x12"x18"	3/4"	25LB
VB-2424	16"x27"x24"	13"x24"x24"	3/4"	39LB
VB-3024	16"x33"x24"	13"x30"x24"	1"-1 1/4"	43LB
VB-3030	16"x33"x30"	13"x30"x30"	1"-1 1/4"	54LB
VB-3630	16"x39"x30"	13"x36"x30"	1 1/4"-2"	60LB
VB-4230	16"x45"x30"	13"x42"x30"	1 1/4"-2"	65LB
VB-4830	16"x51"x30"	13"x48"x30"	1 1/4"-2"	70LB
VB-5430	16"x57"x30"	13"x54"x30"	1 1/4"-2"	76LB
VB-6632	18"x69"x32"	15"x66"x32"	2"-2 1/2"	92LB

\* SIZE BACKFLOW THAT WILL FIT ENCLOSURE

**SPECS**

- 1-1/2" ROUND TUBING FRAME
- 1" X 1/8" MILD STEEL ANGLE
- 1/2" #13 FLATTENED EXPANDED METAL
- STEEL PADLOCK PLATE WELDED TO ENCLOSURE
- (1 EA) 1/4" STEEL PADLOCK U-BOLT WELDED ONTO A 1/4" PLATE READY FOR A (SURFACE MOUNT) INSTALLATION
- (2 EA) 1/4" STEEL HINGE PLATES-READY FOR A (SURFACE MOUNT) INSTALLATION
- (2 EA) STEEL NUTS, BOLTS, & WASHERS
- POWDER COATED
- LIMITED WARRANTY (5 YEARS)
- (POWDER COAT 1 YEAR)
- CUSTOMIZE ANY ENCLOSURE ~ CALL FACTORY FOR PRICE AND LEAD TIMES



PART #	OD(WxLxH)	ID(WxLxH)	*SIZE	WT.
VB-SS-1218	16"x15"x18"	13"x12"x18"	3/4"	27LB
VB-SS-2424	16"x27"x24"	13"x24"x24"	3/4"	42LB
VB-SS-3024	16"x33"x24"	13"x30"x24"	1"-1 1/4"	47LB
VB-SS-3030	16"x33"x30"	13"x30"x30"	1"-1 1/4"	61LB
VB-SS-3630	16"x39"x30"	13"x36"x30"	1 1/4"-2"	67LB
VB-SS-4230	16"x45"x30"	13"x42"x30"	1 1/4"-2"	73LB
VB-SS-4830	16"x51"x30"	13"x48"x30"	1 1/4"-2"	80LB
VB-SS-5430	16"x57"x30"	13"x54"x30"	1 1/4"-2"	87LB
VB-SS-6632	18"x69"x32"	15"x66"x32"	2"-2 1/2"	107LB

\* SIZE BACKFLOW THAT WILL FIT ENCLOSURE

**SPECS**

- 1-1/2" ROUND TUBING FRAME
- 1" X 1/8" STAINLESS STEEL ANGLE
- 1/2" #13 FLATTENED EXPANDED METAL
- STAINLESS PADLOCK PLATE WELDED TO ENCLOSURE
- (1 EA) 1/4" STAINLESS PADLOCK U-BOLT WELDED ONTO A 1/4" PLATE READY FOR A (SURFACE MOUNT) INSTALLATION
- (2 EA) 1/4" SS HINGE PLATES-READY FOR A (SURFACE MOUNT) INSTALLATION
- (2 EA) SS NUTS, BOLTS, & WASHERS
- LIMITED WARRANTY (15 YEARS)
- CUSTOMIZE ANY ENCLOSURE ~ CALL FACTORY FOR PRICE AND LEAD TIMES
- OPTIONAL POWDER COAT, "CALTRANS TAN" COLOR AVAILABLE

