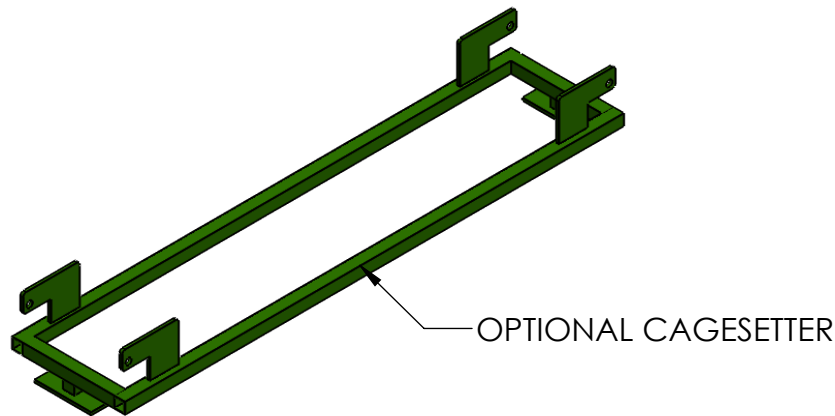
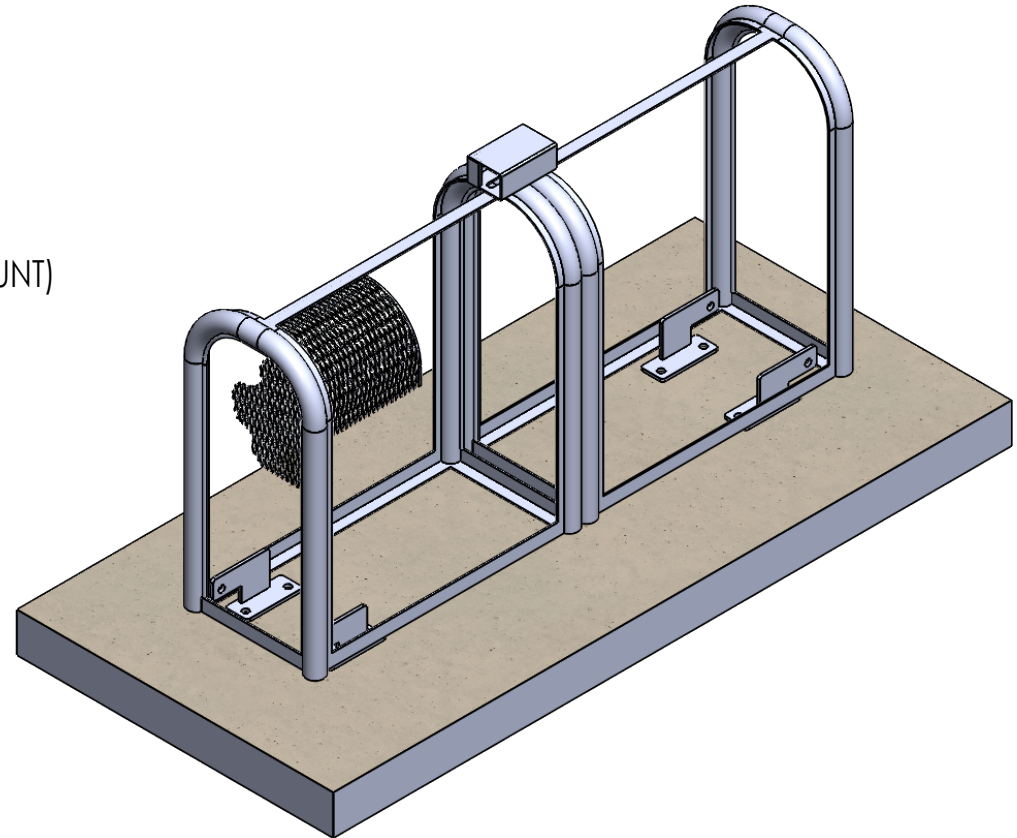


PART #	OD(WxLxH)	ID(WxLxH)	*SIZE	WT.
VBD-6632	18"x69"x32"	15"x66"x32"	2 1/2" - 3"	105LB
VBD-8040	24"x83"x40"	21"x80"x40"	3"-6"	130LB

\* SIZE BACKFLOW THAT WILL FIT ENCLOSURE

## SPECS

- 1-1/2" STEEL TUBING
- 1/2" #13 FLATTENED EXPANDED METAL
- STEEL PADLOCK PLATE WELDED TO ENCLOSURE
- (4 EA) 1/4" STEEL HINGE PLATES-READY FOR (SURFACE MOUNT) INSTALLATION OR SUBSTITUTE POUR-IN-PLACE HARDWARE
- CAGESETTERS AVAILABLE
- (4 EA) NUTS, BOLTS, & WASHERS
- LIMITED WARRANTY (5 YEARS)
- POWDERCOAT (1 YEAR)
- CUSTOMIZE ANY ENCLOSURE ~ CALL FACTORY FOR PRICE AND LEAD TIMES



**ALL-SPEC ENCLOSURES INC. - MILD STEEL VB DUAL**

PART #	OD(WxLxH)	ID(WxLxH)	*SIZE	WT.
VBD-SS-6632	18"x69"x32"	15"x66"x32"	2 1/2" - 3"	95LB
VBD-SS-8040	24"x83"x40"	21"x80"x40"	3"-6"	115LB

\* SIZE BACKFLOW THAT WILL FIT ENCLOSURE

### SPECS

- 1-1/2" STAINLESS TUBING
- 1/2" #13 FLATTENED EXPANDED METAL
- STAINLESS PADLOCK PLATE WELDED TO ENCLOSURE
- (4 EA) 1/4" SS HINGE PLATES-READY FOR (SURFACE MOUNT) INSTALLATION OR SUBSTITUTE POUR-IN-PLACE HARDWARE
- CAGESETTERS AVAILABLE
- (4 EA) NUTS, BOLTS, & WASHERS
- LIMITED WARRANTY (10 YEARS)
- CUSTOMIZE ANY ENCLOSURE ~ CALL FACTORY FOR PRICE AND LEAD TIMES

