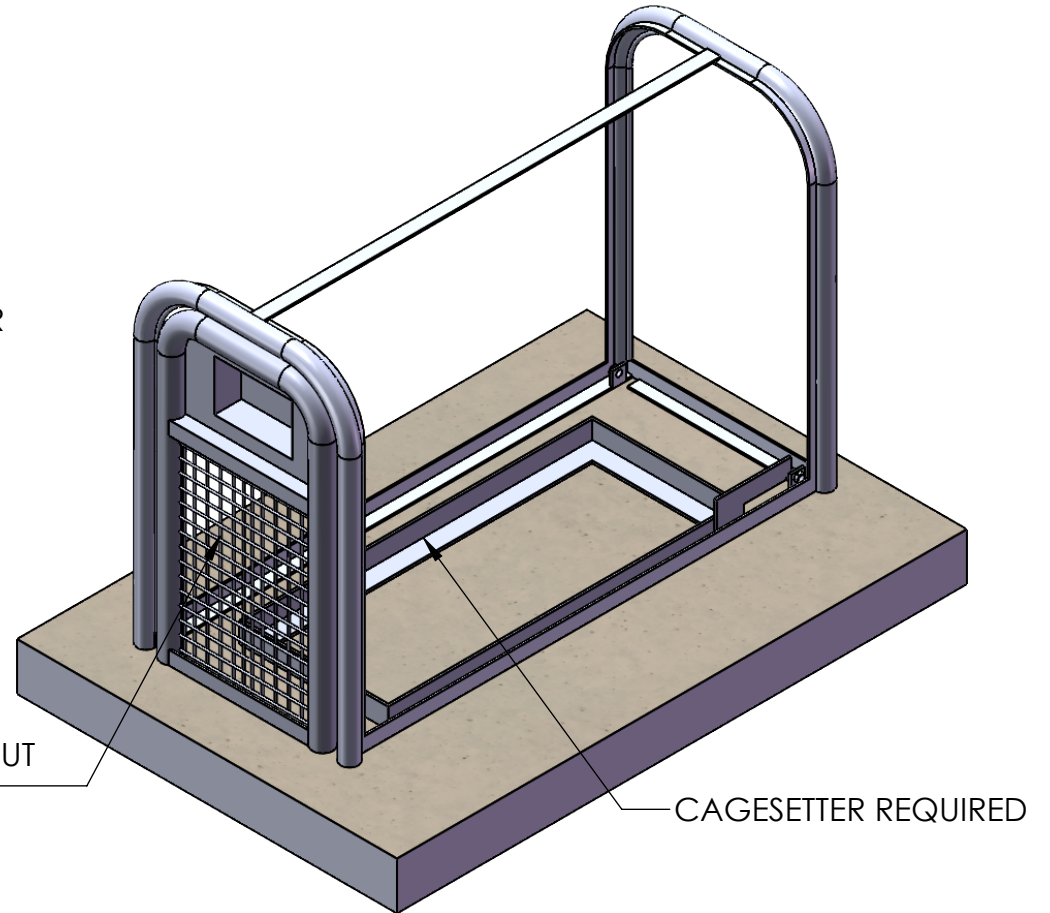


<b>PART #</b>	<b>OD(WxLxH)</b>	<b>ID(WxLxH)</b>	<b>*SIZE</b>	<b>WT.</b>
VBG-2424	16"x24"x24"	13"x24"x24"	3/4"	60LB
VBG-3024	16"x30"x24"	13"x30"x24"	1-1 1/4"	71LB
VBG-3630	16"x36"x30"	13"x36"x30"	1 1/4"-2"	93LB
VBG-4230	16"x42"x30"	13"x42"x30"	1 1/4"-2"	99LB

\* SIZE BACKFLOW THAT WILL FIT ENCLOSURE

**SPECS**

- 1-1/2" ROUND TUBING FRAME
- 1" X 1/8" MILD STEEL ANGLE
- 1/2" #13 FLATTENED EXPANDED METAL
- STEEL RECESSED PADLOCK BOX WELDED TO ENCLOSURE
- (4 EA) STEEL NUTS, BOLTS, & WASHERS
- POWDER COATED
- LIMITED WARRANTY (5 YEARS)
- (POWDER COAT 1 YEAR)
- CUSTOMIZE ANY ENCLOSURE ~ CALL FACTORY FOR PRICE AND LEAD TIMES



<b>PART #</b>	<b>OD(WxLxH)</b>	<b>ID(WxLxH)</b>	<b>*SIZE</b>	<b>WT.</b>
VBG-SS-2424	16"x27"x24"	13"x24"x24"	3/4"	60LB
VBG-SS-3024	16"x33"x24"	13"x30"x24"	1-1 1/4"	71LB
VBG-SS-3630	16"x39"x30"	13"x36"x30"	1 1/4"-2"	93LB
VBG-SS-4230	16"x45"x30"	13"x42"x30"	1 1/4"-2"	99LB

\* SIZE BACKFLOW THAT WILL FIT ENCLOSURE

**SPECS**

- 1-1/2" ROUND TUBING FRAME
- 1" X 1/8" STAINLESS STEEL ANGLE
- 1/2" #13 FLATTENED EXPANDED METAL
- SS RECESSED PADLOCK BOX WELDED TO ENCLOSURE
- (4 EA) SS NUTS, BOLTS, & WASHERS
- LIMITED WARRANTY (10 YEARS)
- CUSTOMIZE ANY ENCLOSURE ~ CALL FACTORY FOR PRICE AND LEAD TIMES

