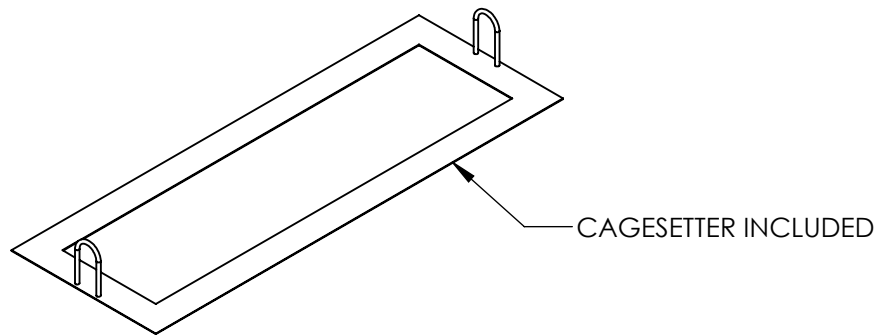
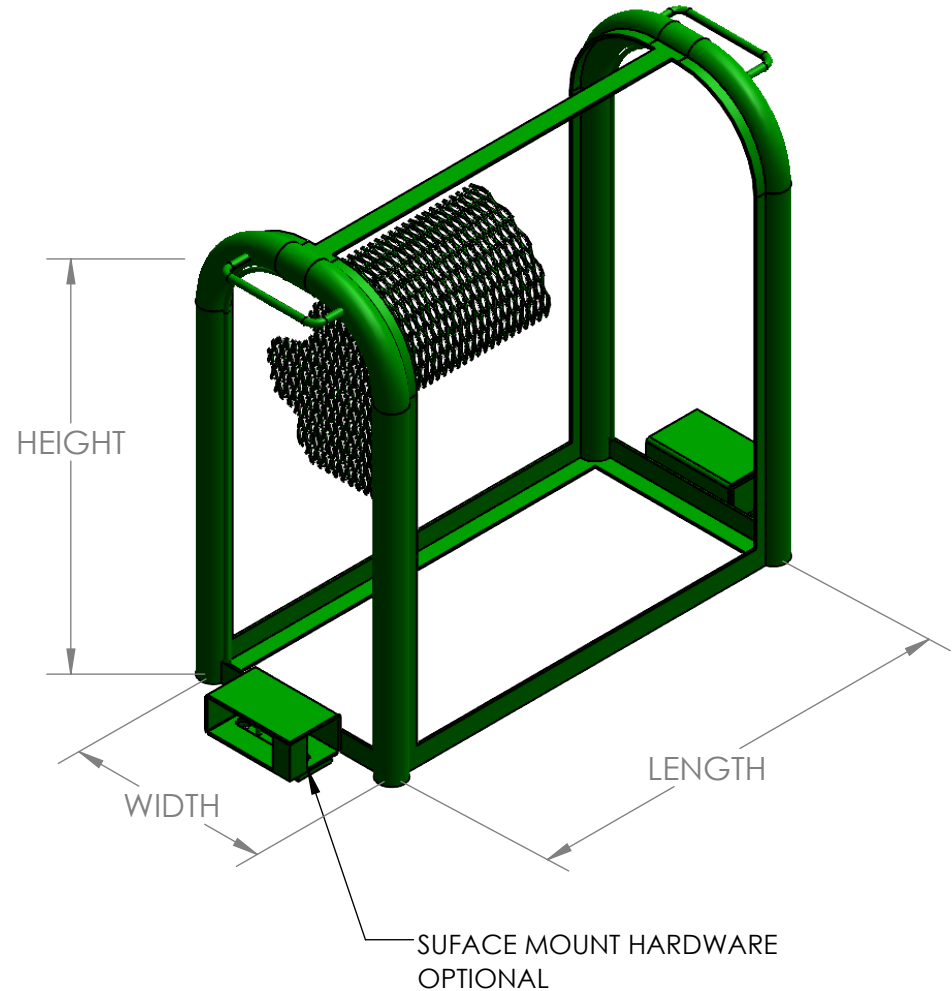


PART #	OD(WxLxH)	ID(WxLxH)	*SIZE	WT.
VBLO-2424	16"x27"x24"	13"x24"x24"	3/4"	39LB
VBLO-3024	16"x33"x24"	13"x30"x24"	1"-1 1/4"	43LB
VBLO-3030	16"x33"x30"	13"x30"x30"	1"-1 1/4"	54LB
VBLO-3630	16"x39"x30"	13"x36"x30"	1 1/4"-2"	60LB
VBLO-4224	16"x45"x24"	13"x42"x24"	1 1/4"-2"	65LB
VBLO-4230	16"x45"x30"	13"x42"x30"	1 1/4"-2"	65LB
VBLO-4830	16"x51"x30"	13"x48"x30"	1 1/4"-2"	70LB

* SIZE BACKFLOW THAT WILL FIT ENCLOSURE

SPECS

- 1-1/2" ROUND TUBING FRAME
- 1" X 1/8" MILD STEEL ANGLE
- 1/2" #13 FLATTENED EXPANDED METAL
- STEEL PADLOCK PLATE WELDED TO ENCLOSURE
- COMES WITH POUR IN PLACE CAGESETTER (SURFACE MOUNT OPTIONAL)
- SURFACE MOUNT TO BE INSTALLED WITH 3/8" REDHEAD BOLTS
- LIMITED WARRANTY (5 YEARS)
- (POWDER COAT 1 YEAR)
- CUSTOMIZE ANY ENCLOSURE ~ CALL FACTORY FOR PRICE AND LEAD TIMES



PART #	OD(WxLxH)	ID(WxLxH)	*SIZE	WT.	* SIZE BACKFLOW THAT WILL FIT ENCLOSURE
VBLO-SS-2424	16"x27"x24"	13"x24"x24"	3/4"	42LB	
VBLO-SS-3024	16"x33"x24"	13"x30"x24"	1"-1 1/4"	47LB	
VBLO-SS-3030	16"x33"x30"	13"x30"x30"	1"-1 1/4"	61LB	
VBLO-SS-3630	16"x39"x30"	13"x36"x30"	1 1/4"-2"	67LB	
VBLO-SS-4224	16"x45"x24"	13"x42"x24"	1 1/4"-2"	73LB	
VBLO-SS-4230	16"x45"x30"	13"x42"x30"	1 1/4"-2"	73LB	
VBLO-SS-4830	16"x51"x30"	13"x48"x30"	1 1/4"-2"	80LB	

SPECS

- 1-1/2" ROUND TUBING FRAME
- 1" X 1/8" STAINLESS STEEL ANGLE
- 1/2" #13 FLATTENED EXPANDED METAL
- COMES WITH POUR IN PLACE CAGESETER (SURFACE MOUNT OPTIONAL)
- SURFACE MOUNT TO BE INSTALLED WITH 3/8" REDHEAD HARDWARE
- LIMITED WARRANTY (15 YEARS)
- CUSTOMIZE ANY ENCLOSURE ~ CALL FACTORY FOR PRICE AND LEAD TIMES

